

INTRODUCTION

Overview

Connecting several monitors to a single PC is effective and affordable with the new video broadcast box from ATEN. Video Splitter is a boosting device that duplicates the output from one PC to multiple monitors, allowing one computer to display images on up to four or eight monitors. This product emphasizes the information you want to display by expanding computer demonstrations to every members of your audience.

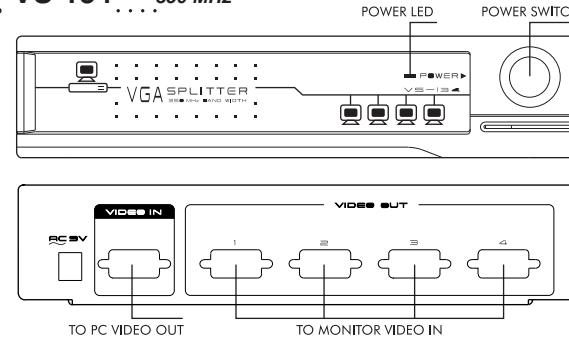
Features

- Duplicate video signals to four or eight outputs.
- Extend monitors distances as much as 210 feet from the computer.
- Support 350/300 MHz video bandwidth (-3dB).
- Suitable for XGA, SVGA, VGA and Multisync monitors.
- Supports at least 1600x1280 Resolution.
- Supports one XGA port (video output 1).
- DDC compatible : If you connect a DDC type monitor to video out 1, all other monitors must be able to support the highest video resolution that the DDC monitor can provide.

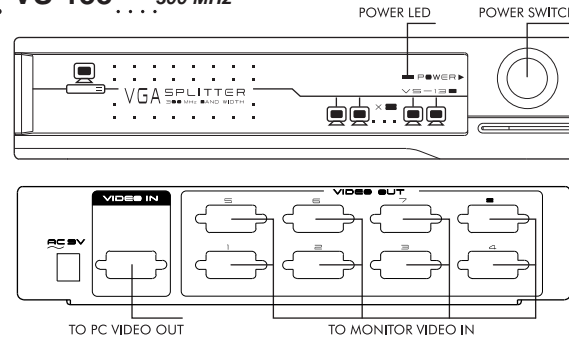
(DDC : allows communication between the monitor and PC system for optimal Video Configuration.)

1

VS-134 350 MHz



VS-138 300 MHz



Note

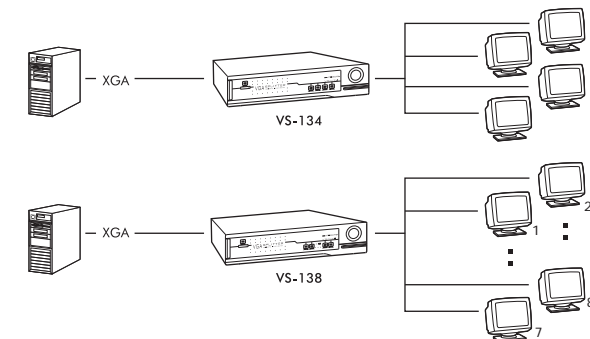
- This product is not suitable for CGA, EGA, MONOCHROM type monitors using digital video signal.
- UL-2919 rated cable is recommended for the best video quality.

2

Specification

FUNCTION	VS-134	VS-138
Power Consumption	AC 9V, 300mA(max)	AC 9V, 500mA(max)
Cable Distance	65M(210ft.)	
Signal Type	XGA, VGA, SVGA, Multisync Monitor	
Connector-Input(male)	1 High Density HD-15	
Connector-Output(female)	4 or 8 High Density HD-15	
Operation Temperature	5°C ~ 40°C	
Stock Temperature	-20°C ~ 60°C	
Humidity	0% ~ 80% RH, noncondensing	
Enclosure	Plastic / Metal	
Weight	1150g	1200g
Dimensions(LxWxH)	224x152x52 (mm)	

Connect



3

INTRODUCTION

..... Hardware Requirement

- One or more XGA, SVGA, VGA and Multisync compatible analog monitors with a PC standard high density male 15 pin D type cable.
- One XGA, SVGA, VGA and Multisync analog video card with a PC standard high density female 15 pin D type connector.

..... Install the Hardware

- A. Turn off video splitter.
- B. Connect the video signal from PC to the VIDEO IN of VIDEO SPLITTER by a high density 15 pin D type male/female cable.
- C. Connect VIDEO OUT's of VIDEO SPLITTER to monitors by high density 15 pin D type male/female cables.
- D. Turn on the power of VIDEO SPLITTER and it is ready.

..... Cascading Multiple Video Splitter

To cascade Video Splitter, connect the VIDEO IN port of one VIDEO SPLITTER to the VIDEO OUT port of another VIDEO SPLITTER.

..... Limited Warranty

IN NO EVENT SHALL THE DIRECT VENDOR'S LIABILITY EXCEED THE PRICE PAID FOR THE PRODUCT FROM DIRECT, INDIRECT, SPECIAL, INCIDENTAL, OR CONSEQUENTIAL DAMAGES RESULTING FROM THE USE OF THE PRODUCT, DISK, OR ITS DOCUMENTATION.

The direct vendor makes no warranty or representation, expressed, implied, or statutory with respect to the contents or use of this documentation, and specially disclaims its quality, performance, merchantability, or fitness for any particular purpose.

The direct vendor also reserves the right to revise or update device or documentation without obligation to notify any individual or entity of such revisions, or update. For further inquires please contact your direct vendor.

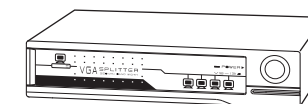
..... Preventing Radio & TV Interference

WARNING!!! This equipment generates, uses, and can radiate radio frequency energy and if not installed and used in accordance with the instructions manual, may cause interference to radio communications. It has been tested and found to comply with the limits for a Class A computing device pursuant to Subpart J of part 15 of FCC Rules, which are designed to provide reasonable protection against such interference when operate in a commercial environment. Operations of this equipment in a residential area is likely to cause interference in which case the user at his own expence will be required to take whatever measures may be required to correct the interference.

ATEN INTERNATIONAL CO., LTD.

12F, NO.101, Sung-Chiang Rd., Taipei, 104, Taiwan
TEL : 886-2-504-7270 FAX : 886-2-504-7282
E-mail : sales@www.aten.com.tw

Manual Part NO. PAPE-1116-100
Printed in Taiwan 10/97



USER'S MANUAL

VS-134 / VS-138

Please read this manual thoroughly and follow the instruction procedures to prevent any damage to the VS-134 / VS-138 and or the connecting devices.

THIS PACKAGE INCLUDES

- One Video Splitter VS-134 / VS-138
- One Power Supply (AC 9V 500mA for VS-134)
(AC 9V 1A for VS-138)
- Video Splitter User's Manual

©Copyright 1997 ATEN® International Co., Ltd.
All brand names and trademarks are the registered property of their respective owners.